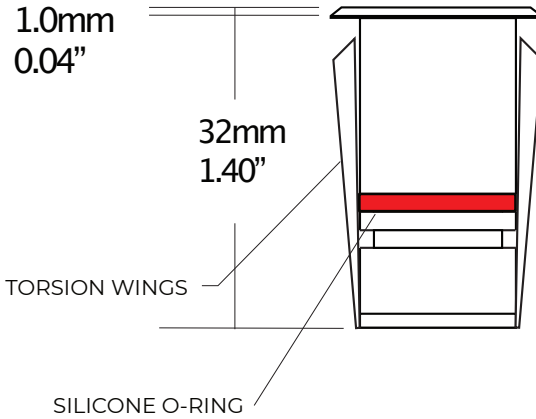
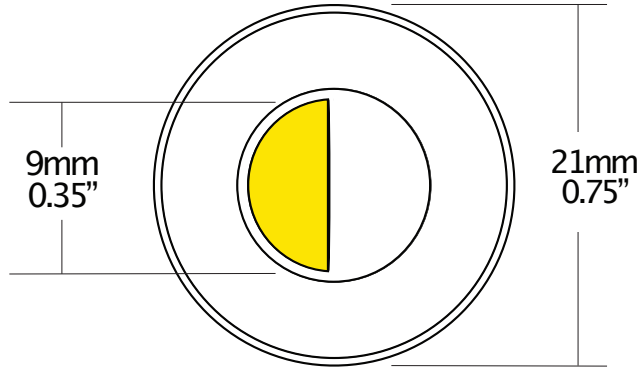


# PLOOK

MINUSCULE RECESSED / IN-GRADE HALF-SHIELD FLOOD  
MINIM.IS/plook



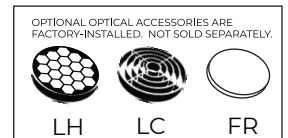
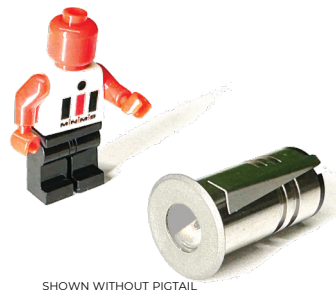
## SPECIFICATIONS

MATERIAL:	PRECISION, HAND-MILLED TITANIUM	LUMINAIRE WEIGHT:	0.1 LB (45 GRAMS)
SECONDARY OPTICS:	PMMA + SAPPHIRE CRYSTAL LENS + SHIELD	DRIVE-OVER RATING:	10,500 LBS (4,775 KG)
PIGTAIL:	23-INCH (58CM) DOUBLE-SHEATHED PIGTAIL	MP FAMILY RATING:	125mA @ 12vDC = 1.5 watt
POWER REQUIREMENT:	CONSTANT VOLTAGE 12-VOLT DC, PARALLEL TOPOLOGY	CERTIFICATIONS:	UL 2108 for IC, concrete, and in-grade. IP67 and IP65, dry
ENVIRONMENT:	IP67+IP65, WET, DRY, IC, CONCRETE, IN-GRADE	LUMEN OUTPUT:	60 LM (DELIVERED)
WARRANTY:	5-YEAR LIMITED WARRANTY	DRILL HOLE SIZE:	17MM Ø
		TEMPERATURE RATING:	-40°F (-40°C) TO 250°F (121°C)

## HOW TO SPECIFY. LUMINAIRE EXAMPLE CODE: OK-MP-30-AU-LH-TRKTRD16-PKMP-0115-DL2

PROD.	FAMILY	CCT & CRI	BEZEL COLOR	ACCESSOR.	TRIM KIT	POWER KIT <sup>5</sup>	POWER DIMMING PROTOCOLS
OK	MP	27 (2700°K CRI 90+)	TI NATURAL TITANIUM	NO NONE	TRKTRD16 <sup>3</sup>	PKMP-0115 FOR 1 TO 15 LIGHTS	10V 0-10VDC + 10V PWM <sup>4</sup>
		30 (3000°K CRI 90+)	AU MATTE GOLD <sup>2</sup>	LH HEX LOUVER <sup>6</sup>	NOKIT	PKMP-1630 FOR 16 TO 30 LIGHTS	DL1 DALI + 10V PWM <sup>4</sup>
		35 (3500°K CRI 90+)	BK MATTE BLACK <sup>2</sup>	LC CIRC LOUVER <sup>6</sup>		NOPW NO POWER	DL2 DALI-2 + 10V PWM <sup>4</sup>
		40 (4000°K CRI 90+)		FR FROST LENS <sup>6</sup>			N/A NO POWER
		50 (5000°K CRI 90+)					

- THIS SECTION INTENTIONALLY LEFT BLANK.
- SUBJECT TO AVAILABILITY, LEAD-TIMES, AND ADDITIONAL CHARGE.
- ALL-TITANIUM CONCRETE / PLASTER TRIM KIT "BEFORE THE POUR." DATA SHEET: <https://minim.is/cutsheet/CUT-SHEET-TRKTXXXX.pdf>
- SUBJECT TO AVAILABILITY, ADDITIONAL CHARGE, AND LEAD TIMES. INCORRECT CHOICE RESULTS IN RESTOCKING FEE.
- 1 KIT TO POWER 1-15 LIGHTS OR 16-30 LIGHTS. DATA SHEET: <https://minim.is/cutsheet/CUT-SHEET-PKMPXXXX.pdf>
- INSTALLED AT FACTORY, AND IS NON-REMOVABLE. ADDITIONAL CHARGE APPLIES.



## WARRANTY NOTES + DISCLAIMER

MALFUNCTION AND/OR DAMAGE TO PRODUCT DUE TO EMPLOY OF INCOMPATIBLE OR DEFECTIVE DIMMING SYSTEM / PROTOCOL, OR DUE TO DISREGARD OF INSTALLATION INSTRUCTIONS WILL NOT BE COVERED UNDER WARRANTY. CONTACT MINIMIS FOR RECOMMENDED POWER SOURCES. **MAINS DIMMING WILL INVALIDATE WARRANTY.**

CONSULT A DIMMING SYSTEM MANUFACTURER WITH MINIMUM LOAD BEFORE INSTALLING.

MINIMIS RESERVES THE RIGHT AT ITS SOLE DISCRETION TO MAKE DESIGN CHANGES TO OUR PRODUCTS, AT ANY TIME, AND WITHOUT ADVANCE NOTICE.

CONSULT US: +1 305 503 5779 or [WWW.MINIMIS.IS/contact](http://WWW.MINIMIS.IS/contact)

MINIMIS  
1661 WEST AVE #398002  
MIAMI BEACH 33239

WWW.MINIMIS.IS  
+1 305 503 5779



MADE SOMEWHERE IN AMERICA.

COPYRIGHT MINIMIS 2025

JAN-2025