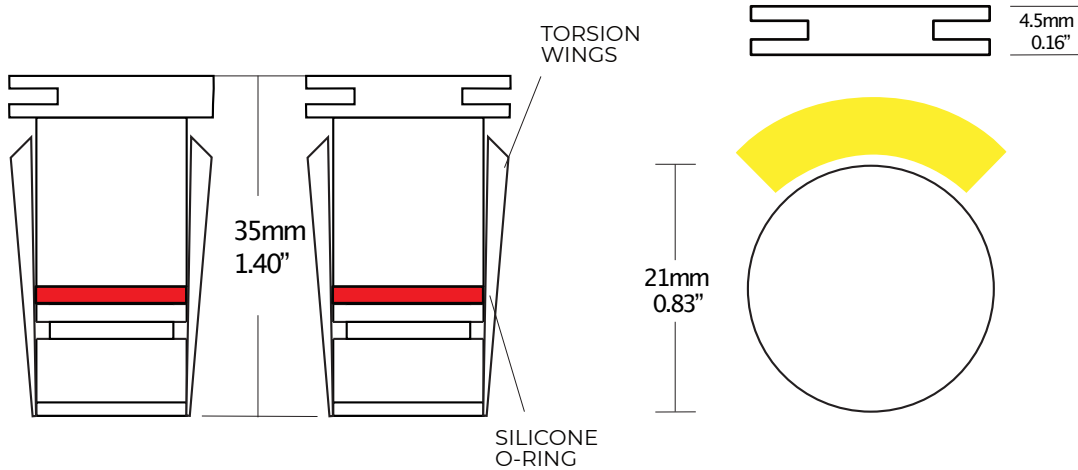


MINT

RECESSED/IN-GRADE UNI- AND BI-DIRECTIONAL MARKER
MINIM.IS/mint



UNI- & BI-DIRECTIONAL
MARKER + GRAZER
FOR WALL + STAIR +
DRIVEWAY + PATH



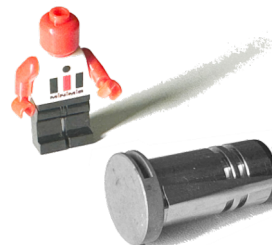
SPECIFICATIONS

MATERIAL:	PRECISION, HAND-MILLED TITANIUM	LUMINAIRE WEIGHT:	0.1 LB (45 GRAMS)
SECONDARY OPTICS:	PMMA LENS + 316 STAINLESS PRISM REFLECTOR	DRIVE-OVER RATING:	10,500 LBS (4,775 KG)
PIGTAIL:	23-INCH (58CM) DOUBLE-SHEATHED PIGTAIL	MP FAMILY RATING:	125mA @ 12vDC = 1.5 watt
POWER REQUIREMENT:	CONSTANT VOLTAGE 12-VOLT DC, PARALLEL TOPO.	LUMEN OUTPUT:	VARIES. SEE PHOTOMETRICS
ENVIRONMENT:	IP67+IP65, WET, DRY, IC, CONCRETE, IN-GRADE	DRILL HOLE SIZE:	17MM Ø
WARRANTY:	5-YEAR LIMITED WARRANTY	TEMPERATURE RATING:	-40°F (-40°C) TO 250°F (121°C)

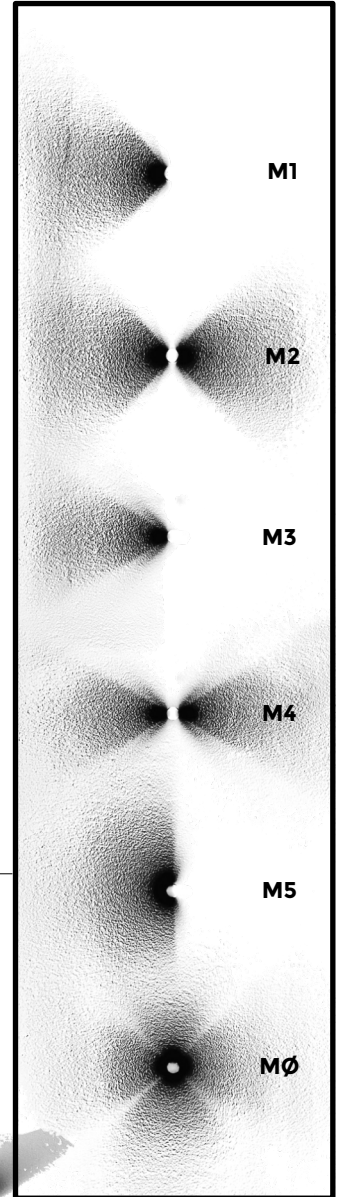
HOW TO SPECIFY. LUMINAIRE EXAMPLE CODE: M2-MP-35-AU-TRKTRD16-PKMP-0115-DL2

PROD.	FAMILY	CCT & CRI	BEZEL COLOR ¹	TRIM KIT	POWER KIT ⁴	POWER DIMMING PROTOCOLS ³
M1 (90° 1-way)	MP	27 (2700°K CRI 90+)	TI NATURAL TITANIUM	TRKTRD16 ²	PKMP-0115 FOR 1 TO 15 LIGHTS	10V 0-10VDC + 10V PWM ³
M2 (90° 2-way)		30 (3000°K CRI 90+)	AU MATTE GOLD ³	NOKIT	PKMP-1630 FOR 16 TO 30 LIGHTS	DL1 DALI + 10V PWM ³
M3 (45° 1-way)		35 (3500°K CRI 90+)	BK MATTE BLACK ³		NOPW NO POWER	DL2 DALI-2 + 10V PWM ³
M4 (45° 2-way)		40 (4000°K CRI 90+)				N/A NO POWER
M5 (180°)		50 (5000°K CRI 90+)				
M0 (360°)						

- THIS SECTION INTENTIONALLY LEFT BLANK.
- ALL-TITANIUM CONCRETE / PLASTER TRIM KIT "BEFORE THE POUR". DATASHEET: <https://minim.is/cutsheet/CUT-SHEET-TRKTRD16-PKMP-0115-DL2>
- SUBJECT TO AVAILABILITY, ADDITIONAL CHARGE, AND LEAD TIMES. INCORRECT CHOICE RESULTS IN RESTOCKING FEE.
- 1 KIT TO POWER 1-15 LIGHTS OR 16-30 LIGHTS. DATA SHEET: <https://minim.is/cutsheet/CUT-SHEET-PKMP-0115-DL2>



SHOWN WITHOUT PIGTAIL



WARRANTY NOTES + DISCLAIMER

MALFUNCTION AND/OR DAMAGE TO PRODUCT DUE TO EMPLOY OF INCOMPATIBLE OR DEFECTIVE DIMMING SYSTEM / PROTOCOL, OR DUE TO DISREGARD OF INSTALLATION INSTRUCTIONS WILL NOT BE COVERED UNDER WARRANTY. CONTACT MINIMIS FOR RECOMMENDED POWER SOURCES. MAINS DIMMING WILL INVALIDATE WARRANTY.

CONSULT A DIMMING SYSTEM MANUFACTURER WITH MINIMUM LOAD BEFORE INSTALLING.

MINIMIS RESERVES THE RIGHT AT ITS SOLE DISCRETION TO MAKE DESIGN CHANGES TO OUR PRODUCTS, AT ANY TIME, AND WITHOUT ADVANCE NOTICE.

CONSULT US: +1 305 503 5779 or WWW.MINIMIS.IS/contact

MINIMIS
1661 WEST AVE #398002
MIAMI BEACH 33239



MADE SOMEWHERE IN AMERICA.



WWW.MINIMIS.IS
+1 305 503 5779