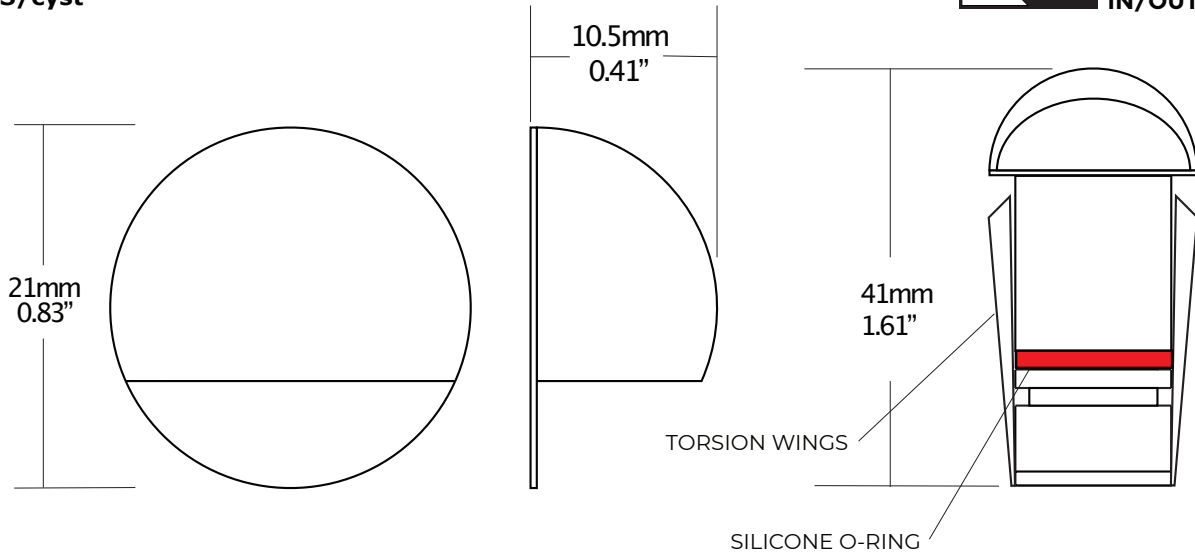


CYST

MINUSCULE RECESSED ASYMMETRICAL EYELID

MINIM.IS/cyst



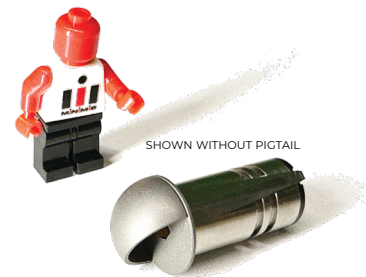
SPECIFICATIONS

MATERIAL:	PRECISION, HAND-MILLED TITANIUM	WARRANTY:	5-YEAR LIMITED WARRANTY
PIGTAIL:	23-INCH (58CM) DOUBLE-SHEATHED PIGTAIL	LUMINAIRE WEIGHT:	0.1 LB (45 GRAMS)
POWER REQUIREMENT:	CONSTANT VOLTAGE 12-VOLT DC, PARALLEL TOPOLOGY	MP FAMILY RATING:	125mA @ 12vDC = 1.5 watt
ENVIRONMENT:	IP67, IP65, DAMP, WET, DRY, IC, CONCRETE, DRYWALL	LUMEN OUTPUT:	45 LM (DELIVERED)
RESTRICTIONS:	NOT SUITABLE FOR HORIZ. OR UPWARD ORIENTATION IN WET ENVIRONMENTS	CERTIFICATIONS:	UL 2108 for IC, concrete, and in-grade. IP67 and IP65 + dry
DRILL HOLE SIZE:	17MM Ø	TEMPERATURE RATING:	-40°F (-40°C) TO 250°F (121°C)

HOW TO SPECIFY. LUMINAIRE EXAMPLE CODE: CY-MP-30-BK-NOKIT-NOPW-N/A

PROD.	FAMILY	CCT & CRI	BEZEL COLOR	TRIM KIT	POWER KIT	DIMMING PROTOCOLS ⁴
CY	MP	27 (2700°K CRI 90+)	TI NATURAL TITANIUM	TRKTRD16 ²	PKMP-0115 FOR 1 TO 15 LIGHTS	10V 0-10VDC + 10V PWM ³
		30 (3000°K CRI 90+)	AU MATTE GOLD ³	NOKIT	PKMP-1630 FOR 16 TO 30 LIGHTS	DL1 DALI + 10V PWM ³
		35 (3500°K CRI 90+)	BK MATTE BLACK ³		NOPW NO POWER	DL2 DALI-2 + 10V PWM ³
		40 (4000°K CRI 90+)				N/A NO POWER
		50 (5000°K CRI 90+)				

- THIS SECTION INTENTIONALLY LEFT BLANK
- ALL-TITANIUM CONCRETE / PLASTER TRIM KIT "BEFORE THE POUR". DATASHEET: <https://minim.is/cutsheet/CUT-SHEET-TRKTXXX.pdf>
- SUBJECT TO AVAILABILITY, ADDITIONAL CHARGE, AND LEAD TIMES. INCORRECT CHOICE RESULTS IN RESTOCKING FEE.
- 1 KIT TO POWER 1-15 LIGHTS OR 16-30 LIGHTS. DATA SHEET: <https://minim.is/cutsheet/CUT-SHEET-PKMPXXX.pdf>



WARRANTY NOTES + DISCLAIMER

MALFUNCTION AND/OR DAMAGE TO PRODUCT DUE TO EMPLOY OF INCOMPATIBLE OR DEFECTIVE DIMMING SYSTEM / PROTOCOL, OR DUE TO DISREGARD OF INSTALLATION INSTRUCTIONS WILL NOT BE COVERED UNDER WARRANTY. CONTACT MINIMIS FOR RECOMMENDED POWER SOURCES. **MAINS DIMMING WILL INVALIDATE WARRANTY.**

CONSULT A DIMMING SYSTEM MANUFACTURER WITH MINIMUM LOAD BEFORE INSTALLING.

MINIMIS RESERVES THE RIGHT AT ITS SOLE DISCRETION TO MAKE DESIGN CHANGES TO OUR PRODUCTS, AT ANY TIME, AND WITHOUT ADVANCE NOTICE.

CONSULT US: +1 305 503 5779 or WWW.MINIM.IS/contact

MINIMIS
1661 WEST AVE #398002
MIAMI BEACH 33239



WWW.MINIM.IS
+1 305 503 5779



MADE SOMEWHERE IN AMERICA.

COPYRIGHT MINIMIS 2025

JAN-2025